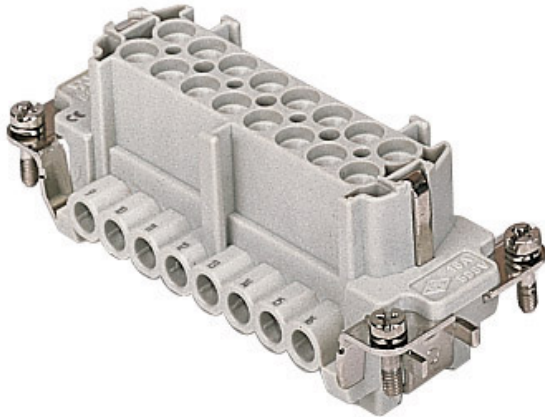


Part number

# CNEF 16 TX



## Brief description:

female insert, 16 poles + PE, screw terminal connections, 16A, 500V, 6kV, 3, silver plated, size "77.27", CLASS insert series

Product description		Approvals / Standards	
<b>Model</b>	female insert	<b>Reference standard</b>	EN 61984 (2001-11)
<b>Version</b>	screw terminal connections	<b>Quality mark</b>	EAC
<b>Series</b>	CNE	<b>Conformity</b>	CQC, CE
<b>Product type</b>	with female contacts	General ordering information	
<b>Variant</b>	without plate	<b>EAN13 code</b>	8015747032407
<b>Family</b>	CLASS inserts	<b>Tariff number</b>	85369095
<b>Size</b>	size "77.27"	<b>Country of origin</b>	Made in EU (IT)
<b>N. of poles</b>	16 poles +	<b>ETIM classification</b>	EC000438
Technical data		Packaging Information	
<b>Current</b>	16 A (A.C. and D.C.)	<b>Packaging length</b>	210,00 mm
<b>Voltage</b>	500 V	<b>Packaging height</b>	130,00 mm
<b>Rated impulse withstand voltage</b>	6kV	<b>Packaging width</b>	240,00 mm
<b>Pollution degree</b>	3	<b>Packaging weight</b>	3,00 kg
<b>Wire cross-section</b>	0,25 mm <sup>2</sup> - 2,50 mm <sup>2</sup>	<b>Packaging volume</b>	6,55 dm <sup>3</sup>
<b>AWG size</b>	24 - 14	<b>Packaging description</b>	Carton box
<b>Operating temperature range (min, max)</b>	-50°C ... +70°C	<b>Packaging quantity</b>	30 Pcs
<b>Contact type</b>	silver plated	<b>Packaging EAN code</b>	8015747032414
<b>Mating cycles</b>	≥ 200	<b>Sub-packaging weight</b>	0,50 kg
<b>IP degree of protection</b>	IP20 without enclosure; IP65/IP66/IP67/IP68 with enclosure	<b>Sub-packaging description</b>	Carton
<b>PE terminal stripping length</b>	7 mm	<b>Sub-packaging quantity</b>	5 Pcs
<b>PE wire cross-section</b>	0,14 - 4 mm <sup>2</sup> ; AWG 20 - 12	<b>Sub-packaging EAN barcode</b>	8015747032421
Further technical details			
<b>Characteristics according to EN 61984</b>	16A 500V 6kV 3; 16A 400/690V 6kV 2		
<b>Insulation resistance</b>	≥ 1 GΩ		
<b>Rated voltage according to UL/CSA</b>	600V		
<b>UL 94 flammability rating</b>	V-0		
<b>Weight</b>	100,00 g		

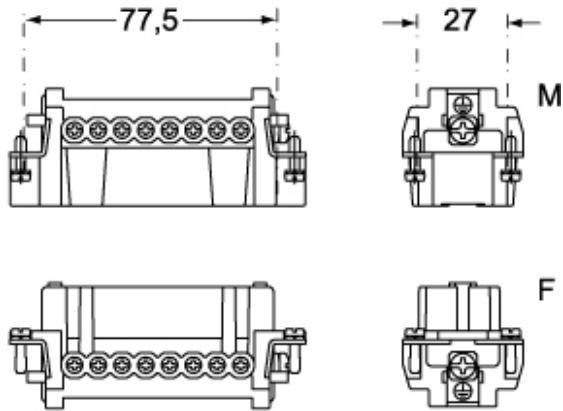
Part number

# CNEF 16 TX

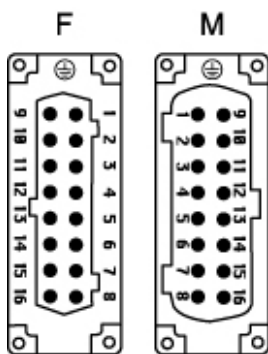


Catalogue drawings

## CNEM 16

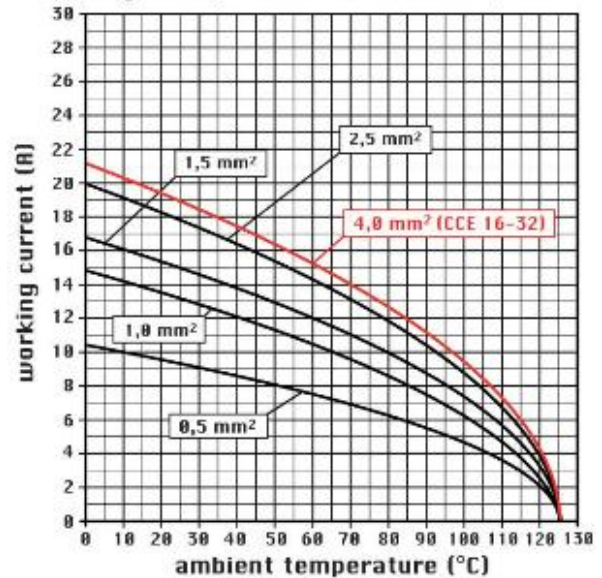


## CNEF 16



Catalogue drawings

diagram CN, CNE and CCE 16 and 32 poles



## Notes

CNEF/M 16 T inserts:

- characteristics according to EN 61984:  
(16A 500V 6kV 3)  
(16A 400/690V 6kV 2)
- rated voltage according to UL/CSA: 600V
- insulation resistance: > 10 GOhm
- ambient temperature limit: -40 °C ... +125 °C
- are made of self-extinguishing thermoplastic resin UL 94 V0
- mechanical life: > 500 cycles
- contact resistance: < 1 mOhm
- enclosures: size "77.27":

C-TYPE IP65/IP66

C7 IP67 stainless steel lever

V-TYPE IP65/IP66

stainless steel lever

T-TYPE IP65 insulating

JEI zinc-plated steel lever

BIG hoods

W-YPE aggressive environments

EMC

central lever

IP68

- panel supports:

COB

CNE ... : for non-prepared conductors



CNE ... X : for conductors with bush terminal

---